



squire technologies
the signalling specialists to the telecoms industry

Signalling Solutions for Lawful Intercept

Version 1.0

Contents

Table of Contents

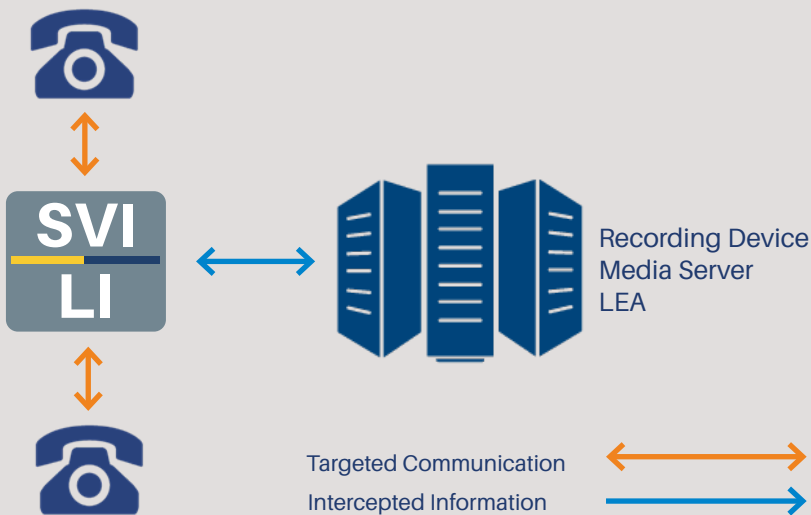
Introduction.....	3
LI Output.....	4
3GPP ETSI Lawful Intercept Standards.....	4
SIPREC (RFC 7245)	5
SIP Duplication / Forking	5
Protocol Conversion Support.....	6

Introduction

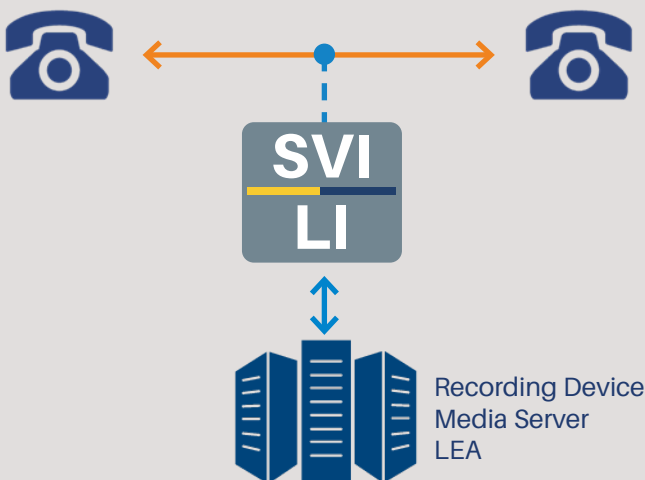
Squire Technologies has a rich history of providing signalling solutions to Lawful Intercept providers over a decade. Starting with pure PSTN TDM solutions Squire Technologies focused on delivering carrier grade product solutions supporting industry standard 3GPP and CALEA interfaces. This has naturally evolved into providing support across today's VoIP networks with Squire Technologies working hand-in-hand with Lawful Intercept providers to deliver comprehensive and innovative solutions.

Squire Technologies provides both an Active and Passive solution allowing clients to target SIP, H.323, SS7, SIGTRAN, ISDN networks while providing output to Recording Devices, Media Servers, Lawful Intercept Mediation Server or direct to a Law Enforcement Agency.

Active



Passive



LI Output

Regardless of whether an Active or Passive model is deployed the targeted call flow is not interrupted and the intercepted signalling/media can be duplicated to the third party collection server in a range of formats:

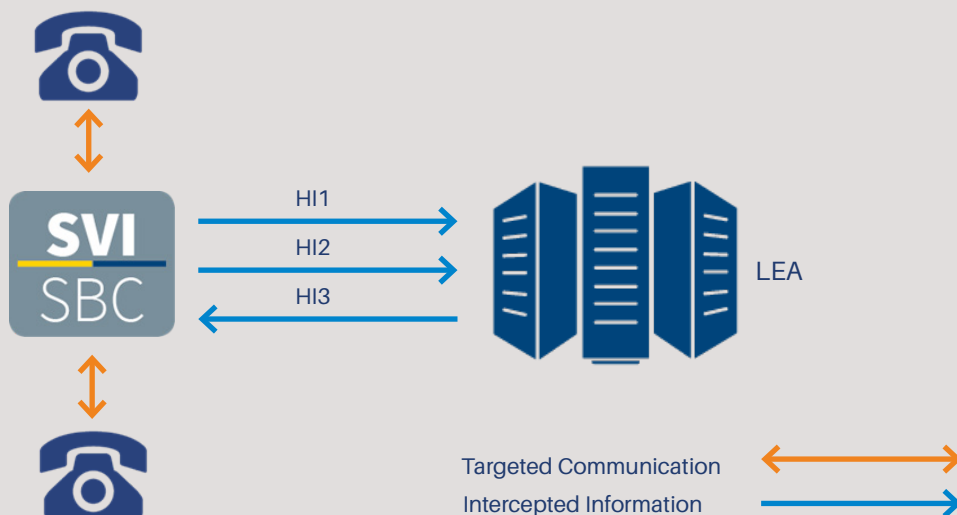
- 3GPP/ETSI Lawful Intercept Standards
- SIPREC (RFC 7245)
- SIP, H.323, SS7, SIGTRAN, ISDN
- SIP Duplication/Forking



3GPP ETSI Lawful Intercept Standards

The Lawful Intercept solution supports the ETSI 101 671 + ETSI TS 102 232-5 specifications providing comprehensive support for H1, H2 and H3 interfaces.

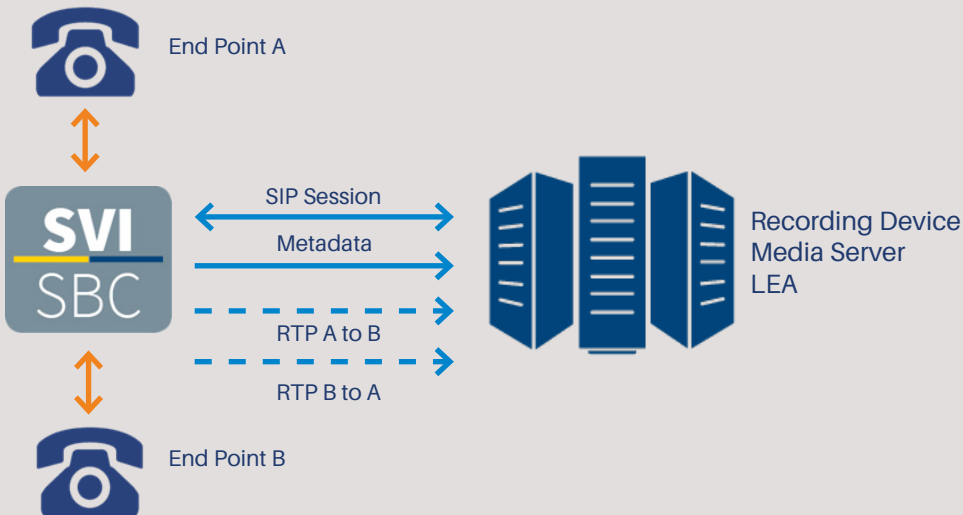
This mode of operation enables integration directly into Law Enforcement Agencies and Lawful Intercept Mediation Servers.



SIPREC (RFC 7245)

The SVI-SBC supports SIPREC as defined in RFC7245. This defines a SRC (Session Recording Client) and a SRS (Session Recording Server). The SBC acts as the SRC.

When a targeted communication is intercepted a SIP session is setup between the SRC and SRS. Through SIP signalling and RTP/RTCP both the media information and the metadata information of the targeted communication are transported to the SRS.

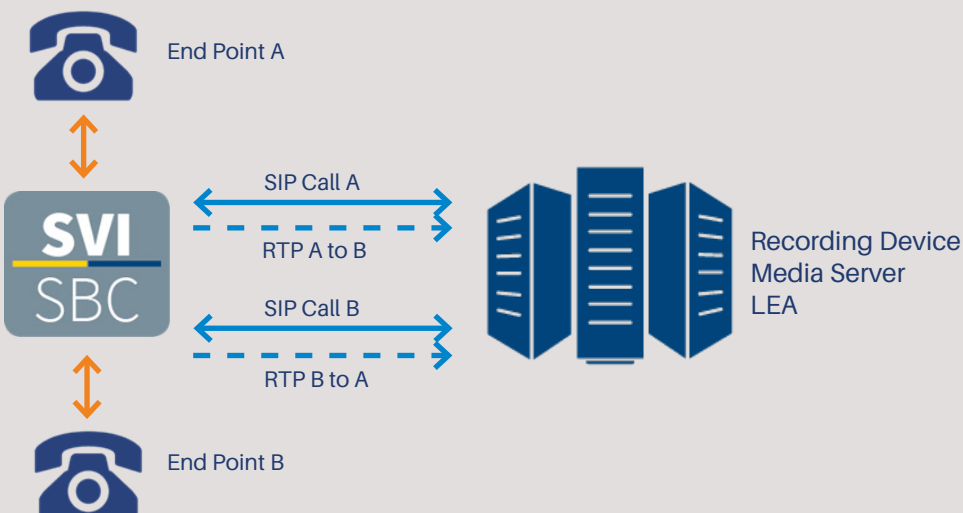


5

SIP Duplication / Forking

The SVI-SBC SIP Duplication Mode is a simplified tapping model that only uses SIP over the H3 interface to pass the RTP streams to a Media Server device.

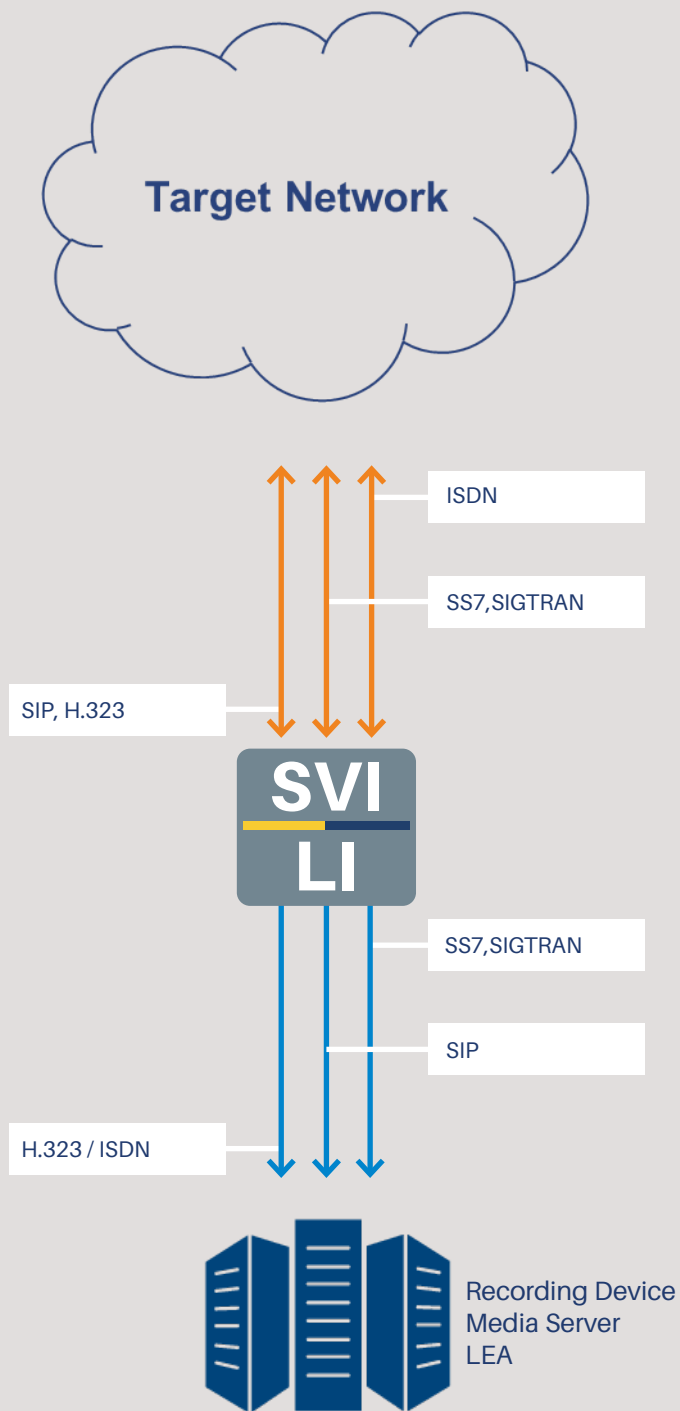
For a single targeted communication, two SIP calls are sent to the Media Server with each call containing the duplicated media packet for each leg of the targeted call.



Protocol Conversion Support

SIP / H.323 / SS7 / SIGTRAN / ISDN

Whether in Active or Passive mode a Squire Technologies LI solution can provide protocol conversion insuring support for legacy protocols and extending the life of incumbent Lawful Intercept recording and media devices.



Squire Technologies

www.squire-technologies.co.uk

64 High West Street
Dorchester, Dorset. DT1 1XA
United Kingdom

Tel: +44 (0) 1305 757 314
Fax: +44 (0) 1305 757 309
Email: enquiries@squire-technologies.co.uk
